

Hazard-Gard XPL explosionproof LED luminaires

Cl. I, Div. 1, Groups C, D
Cl. II, Div. 1, Groups E, F, G
Cl. III

UL Listed
CSA Certified
Wet Locations
NEMA 4X; IP66

2L

Hazard-Gard® XPL linear LED luminaires are specifically designed to replace fluorescent T12, T8 and T5HO lighting in Class I, Division 1 and Class II, Division 1 areas. The rugged and durable design features the industry's most versatile and flexible mounting options. The XPL is the ideal lighting solution for hazardous, high vibration, impact and hose down applications.



Model	Typical lumens	Watts	Lumens per watt	Equivalent HID luminaire	Typical energy savings / lifetime
XPL2	3,800 +/- 10%	34	111	T12HO	Up to 62%
				T8HO	Up to 57%
				T5HO	Up to 45%
				T12	Up to 34%
				T8	Up to 22%
XPL4	7,600 +/- 10%	63	120	T5	Up to 6%
				T12HO	Up to 58%
				T8HO	Up to 43%
				T5HO	Up to 53%
				T12	Up to 37%
				T8	Up to 21%
				T5	Up to 10%

Applications:

- Wastewater treatment, oil and gas refineries, drilling rigs, petrochemical facilities, food and beverage facilities, tunnels, outdoor wall and stanchion mounted general area lighting, and where flammable vapors, gases, ignitable dusts, fibers or flyings are present

Features:

- Industry-leading efficacy: up to 120 LPW
- 5000K CCT, 72 CRI
- 25°C to +55°C ambient operating temperature
- Low profile fixture (<5" height)
- Flush, swivel and pole mount options
- Wide optics for uniform illumination
- Four points of secondary retention and loop feed wiring
- 2,000 PSI high pressure hose rated
- 5G 3-axis vibration
- 2kV surge protection
- 5 year fixture warranty

Standard Materials:

- Housing – copper-free aluminum; Corro-free epoxy powder coat (optional)
- Lens – glass; diffused glass (optional)

Mounting (ordered separately):

Versatile mounting options:

- Flush mount
- Swivel/surface mount
- Pole mount

Photometrics:

- Complete photometrics can be found at www.crouse-hinds.com/photometrics

Certifications and compliances:

NEC/CEC:

- Class I, Division 1, Groups C, D
- Class II, Division 1, Groups E, F, G
- Class III
- NEMA 4X; IP66
- Marine and wet locations
- Paint spray rated

UL standards:

- UL844 – Electrical Fixture Hangers for Hazardous Locations
- UL1598 – Luminaire
- UL1598A – Luminaire for Installation on Marine Vessels

CSA standard:

- C22.2 No. 137

Electrical ratings:

	XPL2	XPL4
Lumen output	3,800	7,600
Frequency	50/60 Hz	50/60 Hz
Voltage	100-277 VAC/108-250 VDC; 347-480 VAC	

Model	Voltage	Current (A)	Watts	Power factor	THD
XPL2/UNV1	100	0.33	33	0.99	<20%
XPL2/UNV1	277	0.13	34	0.94	<20%
XPL2/UNV34	347	0.09	32	0.98	<20%
XPL2/UNV34	480	0.07	33	0.94	<20%
XPL4/UNV1	100	0.63	63	0.99	<20%
XPL4/UNV1	277	0.23	63	0.98	<20%
XPL4/UNV34	347	0.18	62	0.99	<20%
XPL4/UNV34	480	0.13	62	0.98	<20%

Temperature performance data:

Ambient temp. °C	Supply wire °C	Class I, Division 1	Class II, Division 1	Simultaneous Presence	Paint spray
40	75	T6	T5	T6	T5
55	75	T6	T5	T5	T5
65	90	T5	T4A	T4A	T5

Weights:

Model	Lbs.	Kg.
XPL2	18.00	8.20
XPL4	27.00	12.20

Hazard-Gard XPL explosionproof LED luminaires

Cl. I, Div. 1, Groups C, D
Cl. II, Div. 1, Groups E, F, G
Cl. III

UL Listed
CSA Certified
Wet Locations
NEMA 4X; IP66

2L

2L

Designed for safety. Hazard-Gard XPL linear LED luminaires are engineered to stand up to the demanding conditions faced in Class I, Division 1 hazardous areas. The XPL stands up to high vibration, hose down, shock and impact, while delivering long life and high lumen performance for up to 10 years.



Custom optics

- Standard (120°) beam spread maximizes illumination on wall panels

Comprehensive certification

- Single model certified for use in Class I, Division 1 and Class II, Division 1 harsh and hazardous applications

Quick and easy installation

- Easy access to drivers and wiring
- No custom brackets or hardware needed
- Two mounting options available

Slim profile

- Less than 5" fixture height (excluding mounting brackets)
- Perfect for mounting in confined spaces or low height areas



Built to last

- Ingress protection from hose down water or diesel fuel in harsh operational conditions – passed 2,000 PSI high pressure test
- Vibration-, impact- and shock-resistant – passed 5G, 3-axis vibration test
- 60,000 hour lifetime at 55°C ambient
- 100,000+ hour lifetime at 40°C and below

Hazard-Gard XPL explosionproof LED luminaires

Cl. I, Div. 1, Groups C, D
Cl. II, Div. 1, Groups E, F, G
Cl. III

UL Listed
CSA Certified
Wet Locations
NEMA 4X; IP66

2L

Ordering information:

Part number example

XPL4/UNV1 S891 S917

XPL **4**

Series	
XPL	Hazard-Gard XPL linear LED luminaire

/UNV1

Voltage	
/UNV1	100-277 VAC; 108-250 VDC
/UNV34	347-480 VAC

S891

Lens	
BLANK	Glass
S891	Diffused glass

S917

Options	
S917 ^A	-40°C to +65°C suitability
P	Epoxy paint

Length / lumens	
4	4 ft. length, 7,600 lumens
2	2 ft. length, 3,800 lumens

Options:

Description

- Diffused glass lens **S891**
- -40°C to +65°C suitability **S917^A**

Suffix

- Diffused glass lens **S891**
- -40°C to +65°C suitability **S917^A**

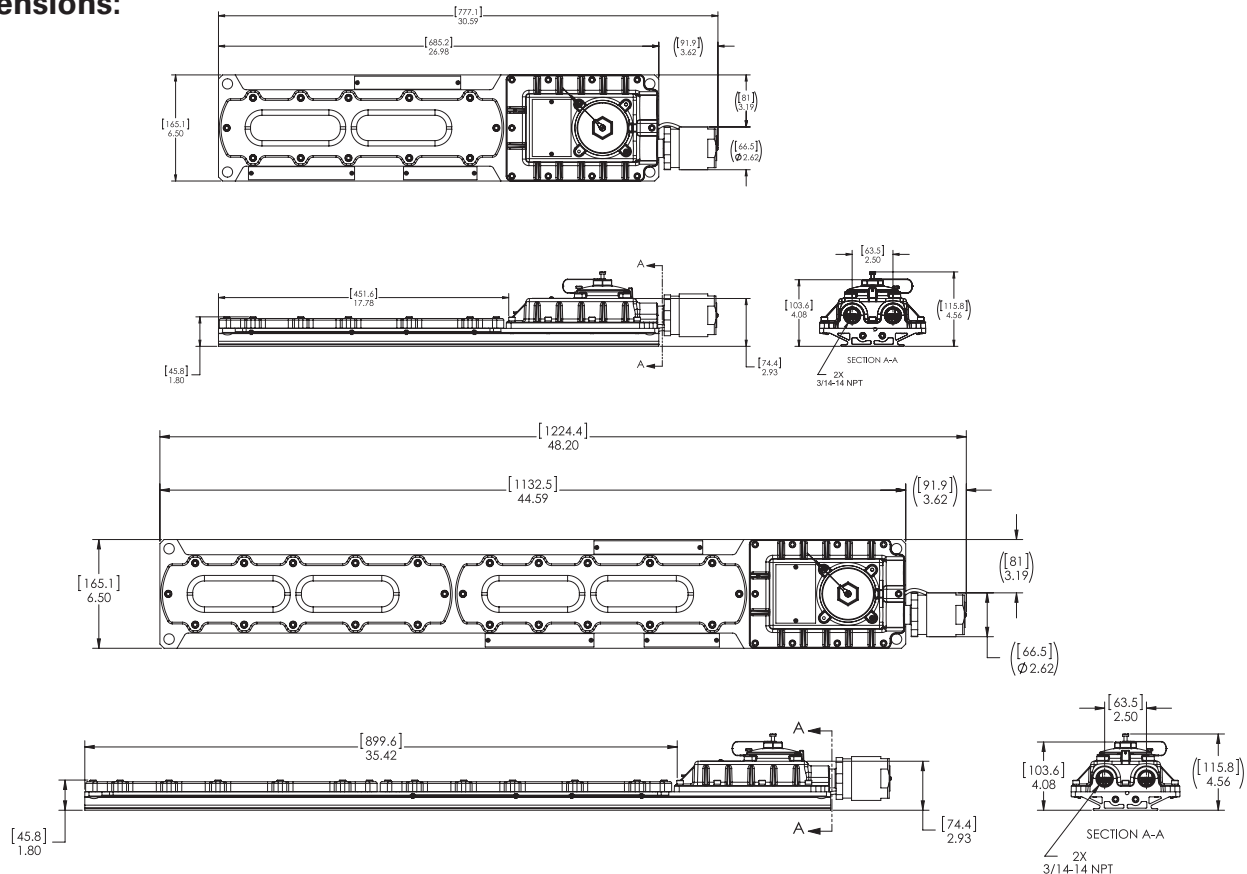
Accessories (ordered separately):

Description

- Flush/back mount back plate **ZP1057MTK**
- Ceiling/swivel mount **ZP1050MTK**
- 1/4" pole mount kit **PM KIT 1.25**
- 1/2" pole mount kit **PM KIT 1.5**
- 2" pole mount kit **PM KIT 2.0**
- Safety chain kit (two cables) (48" each) **SS KIT**
- Polycarbonate paint spray lens shield kit (2 ft. fixture) **XPL PS2**
- Polycarbonate paint spray lens shield kit (4 ft. fixture) **XPL PS4**

Cat.

Dimensions:



^AOne year warranty.

Hazard-Gard XPL explosionproof LED luminaires

Cl. I, Div. 1, Groups C, D
Cl. II, Div. 1, Groups E, F, G
Cl. III

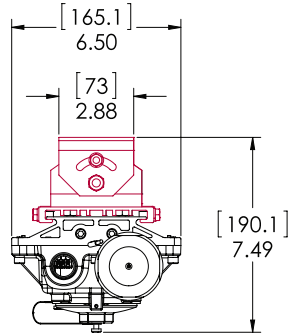
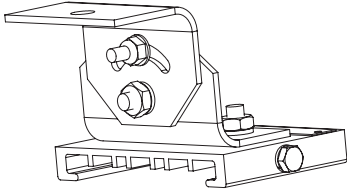
UL Listed
CSA Certified
Wet Locations
NEMA 4X; IP66

2L

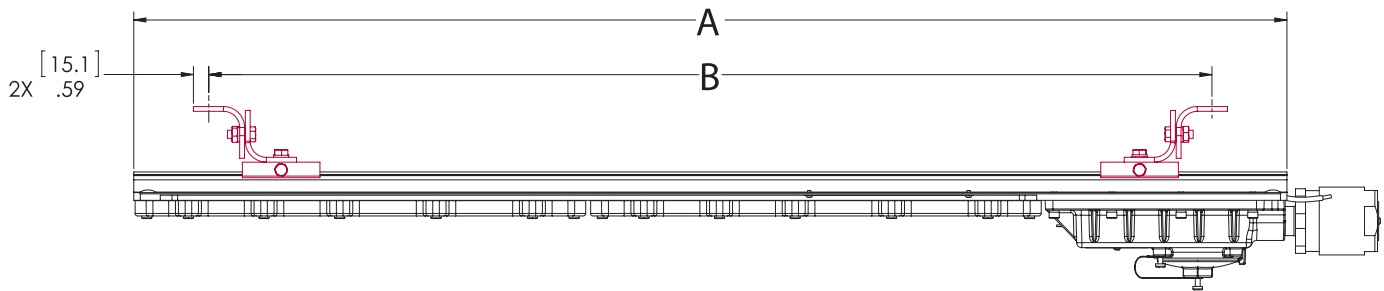
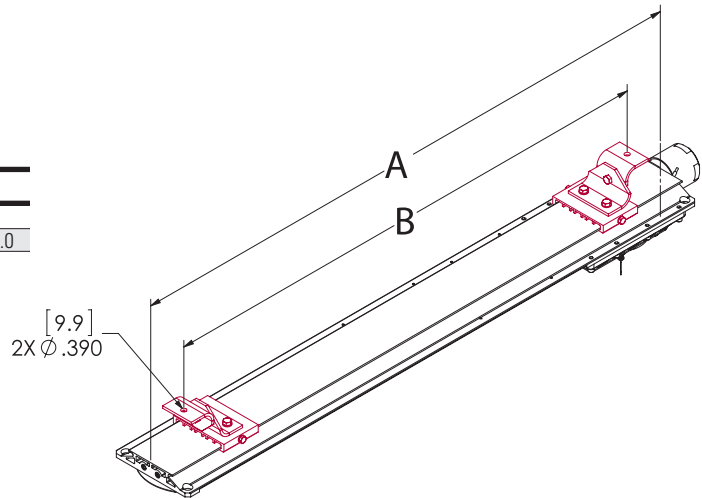
2L

Mounting options:

Ceiling/swivel mount
ZP1050MTK



Length	XPL2		XPL4	
	in.	mm.	in.	mm.
A	27.0	685.0	44.6	1133.0
B	12.0 - 29.0	222.0 - 750.0	18.0 - 47.0	222.0 - 1194.0



Hazard-Gard XPL explosionproof LED luminaires

Cl. I, Div. 1, Groups C, D
Cl. II, Div. 1, Groups E, F, G
Cl. III

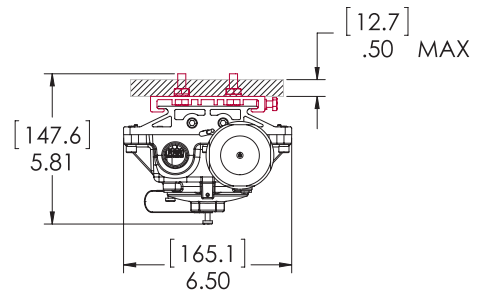
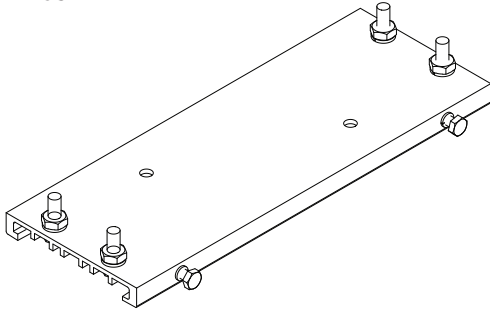
UL Listed
CSA Certified
Wet Locations
NEMA 4X; IP66

2L

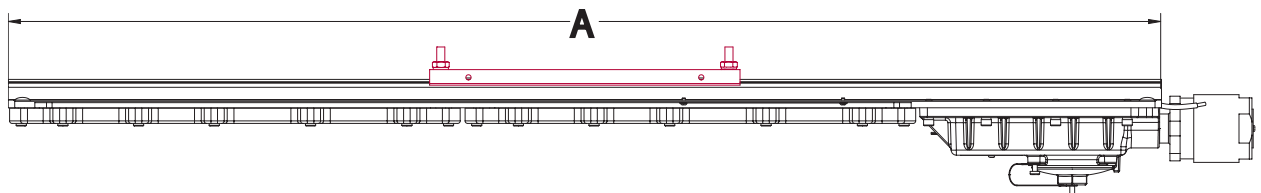
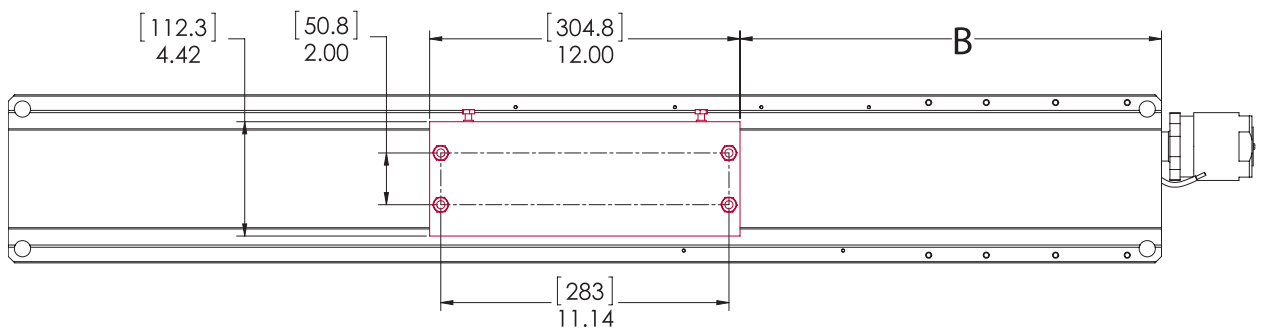
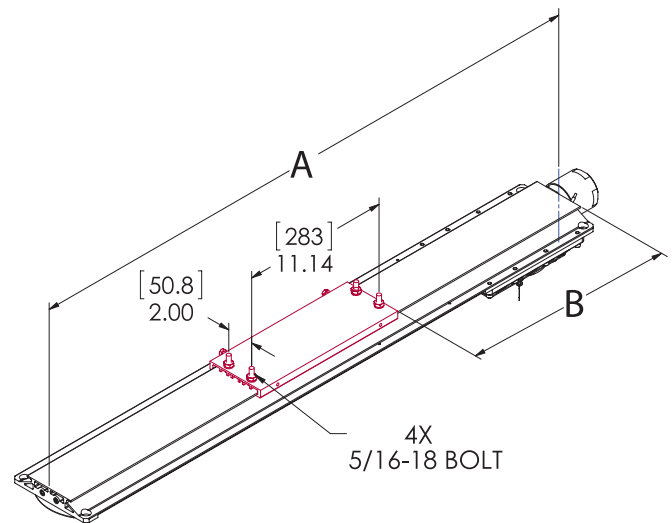
2L

Mounting options (continued):

Flush ceiling
ZP1057MTK



Length	XPL2		XPL4	
	in.	mm.	in.	mm.
A	27.0	685.0	44.6	1133.0
B	7.5	190.0	16.3	414.0



Hazard-Gard XPL explosionproof LED luminaires

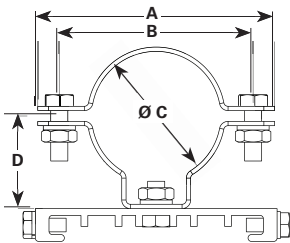
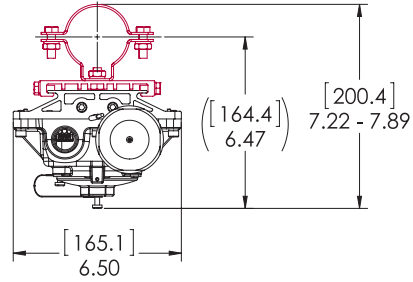
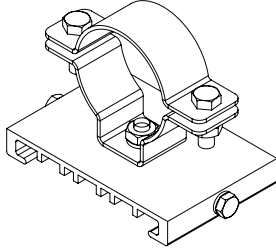
Cl. I, Div. 1, Groups C, D
Cl. II, Div. 1, Groups E, F, G
Cl. III

UL Listed
CSA Certified
Wet Locations
NEMA 4X; IP66

2L

2L Mounting options (continued):

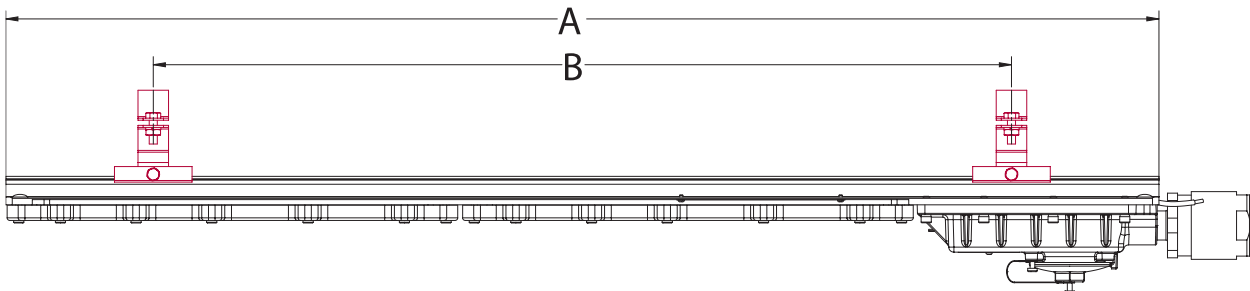
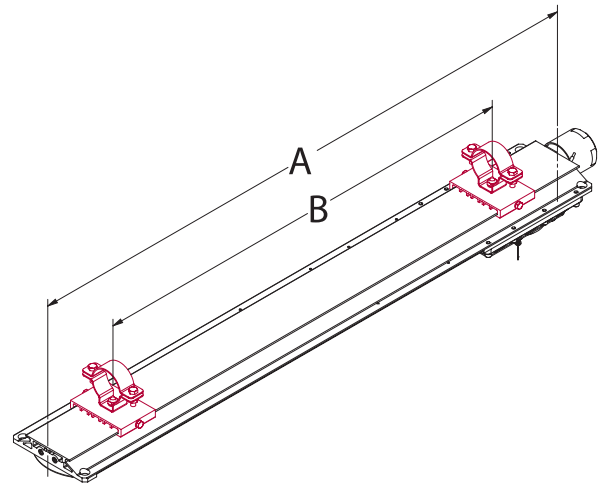
Pole mount PM KIT 1.25/1.5/2.0



ALL MEASUREMENTS IN INCHES

Configuration	A	B	C	D
PM KIT 1.25	4.331	3.543	1.680	1.693
PM KIT 1.5	3.740	2.953	2.000	1.535
PM KIT 2.0	3.386	2.598	2.360	1.378

Length	XPL2		XPL4	
	in.	mm.	in.	mm.
A	27.0	685.0	44.6	1133.0
B	12.0 - 24.0	305.0 - 610.0	18.0 - 41.6	610.0 - 1056.0



Hazard-Gard XPL explosionproof LED luminaires with battery back-up

Cl. I, Div. 1, Groups C, D
Cl. II, Div. 1, Groups E, F, G
Cl. III

UL Listed
CSA Certified
Wet Locations
Type 4X; IP66

2L

2L

Applications:

- Egress and emergency lighting for areas requiring uninterrupted lighting during power failure
- Explosionproof rated indoor and outdoor emergency lighting in manufacturing plants, heavy industrial, chemical and petrochemical facilities, platforms, loading docks and parking areas

Features:

- Operating ambient: -20°C to +40°C
- 90-minute minimum run time in emergency mode
- 7,000 lumen output (700 in emergency mode)
- 60,000 hours rated life at 40°C
- IP66 rated enclosure with NiCad batteries
- Provision of LED indicator and manual test switch to check battery operation
- Epoxy painted powder coated housing
- 1 year warranty

Certifications and compliances:

NEC/CEC:

- Class I, Division 1, Groups C, D
- Class II, Division 1, Groups E, F, G
- Class III
- Wet locations, Type 4X, IP66

UL standards:

- UL844 – Hazardous (Classified)
- UL1598 – Luminaires
- UL1598A – Marine
- UL924 – Emergency Lighting

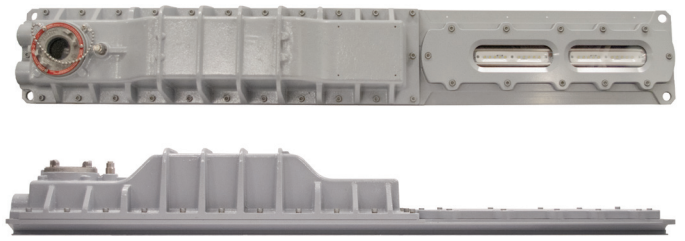
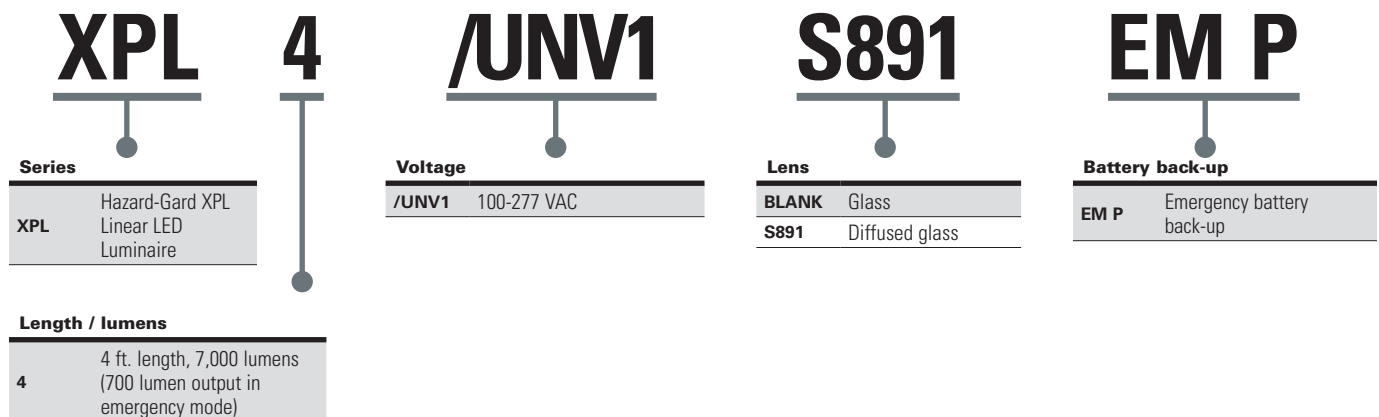
CSA standard:

- CSA C22.2 Nos. 250, 137, 141

Ordering information:

Part number example

XPL4/UNV1 S891 EM P



Electrical ratings:

Model	4 ft.
Voltage	100-277 VAC
Amperage at 120 VAC	0.81
Wattage at 120 VAC	78
Lumen output	7,000 (700 in emergency mode)
Frequency	50/60 Hz
Power factor at 100 VAC	>0.90
THD	<20%
Weight (lbs.)	37.8

Accessories (ordered separately):

Description	Cat. #
• Flush/back mount back plate.....	ZP1057MTK
• Ceiling/swivel mount.....	ZP1050MTK
• 1/4" pole mount kit.....	PM KIT 1.25
• 1/2" pole mount kit.....	PM KIT 1.5
• 2" pole mount kit.....	PM KIT 2.0
• Safety chain kit (two cables) (48" each).....	SS KIT
• Polycarbonate paint spray lens shield kit.....	XPL PS2

Hazard-Gard XPL explosionproof LED luminaires with battery back-up

Cl. I, Div. 1, Groups C, D
Cl. II, Div. 1, Groups E, F, G
Cl. III

UL Listed
CSA Certified
Wet Locations
Type 4X; IP66

2L

2L

Dimensions:

